

Pulse sensor MD-03



Reed sensor MD-03 is designed for transmission of signals from the gas counter Helios (company Metrix - Poland) to radio module D100FC.

The sensor is used in conjunction with the radio module D100FC or independently.

Sensor has a resistor connected in series with the reed, to determine the short-circuit sensor or cable, as well as parallel-connected diode to determine the breakage sensor or cable.

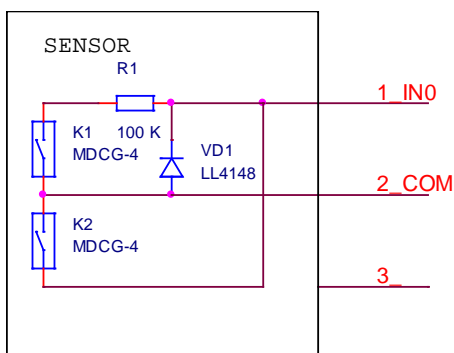
Basic Specifications

Ambient temperature, up to, °C	75
The range of switched current, A	0,000005 .. 0,05
The range of switching voltages, V	1 .. 24
Breaking capacity of active load of not more than, W	0,25
Output in the electrical resistance is open, Ohm, not less than	10^7
Mean time to failure of sensor with voltage up to 4 V, no less than	10^9
The degree of protection against dust and water	IP68

Features

- * The duration of the pulse depends upon the flow rate
- * When you stop counter, pulse may be continuous ON or OFF
- * Standard cable length - 200 mm (other lengths on request)
- * The sensor is designed for continuous operation
- * The sensor is a non-recoverable product.
- * The life of the sensor is not less than 12 years but not more than 10^9 pulses.
- * The method of fastening - self-locking mechanism sensor
- * Sealing - seal self-destructs

Connection



Marking:

- 1_IN0 - insulated wire - the main output pulse
- 2_COM - Shield (braided cable) - common wire
- 3 - No connect