

AD220/50 Valve control adapter

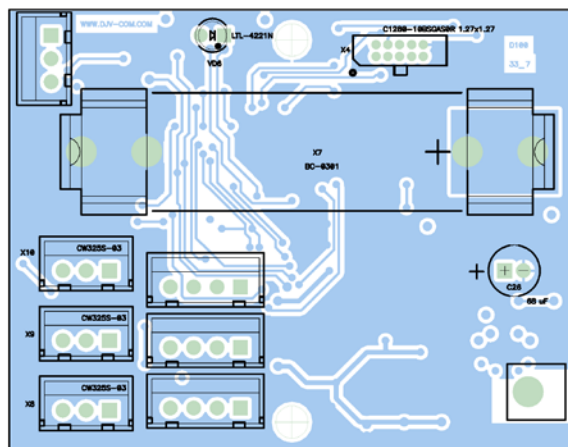
(Installation and operation instruction)

1. Purpose

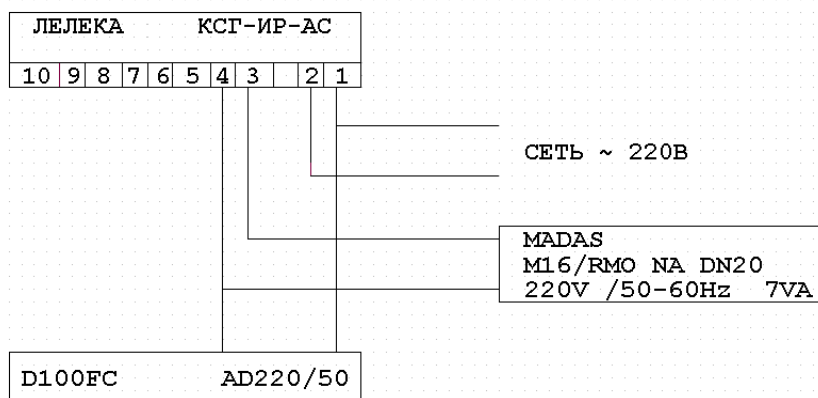
Adapter AD220/50 is designed for operation in the radio module D100FC to control the pulse shut-off valve with a working voltage of 220V and a power consumption up to 11 W / 11 VA.

2. Install the adapter valve control in radio D100FC

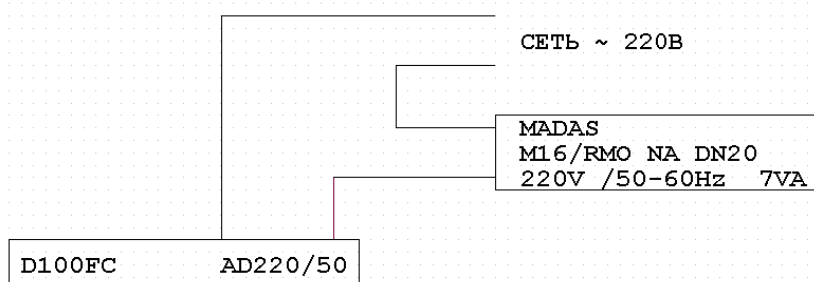
The adapter board plugs into the radio module X8 connector, see at picture, it use wire 220V, double insulation wire for valve control



3. Wiring D100FC radio module to the gas analyzer "LELEKA" to control the pulse valve "MADAS".



4. Wiring D100FC radio module for controlling pulse valve in the absence of the gas analyzer.



5. Installation Guidelines

The installation of the radio module is recommended when mounted power supply to the gas analyzer (for example Leleka), and wiring of the gas analyzer (Leleka) to the valve. When you connect the adapter AD220/50 to the gas analyzer, the analyzer should be installed in the immediate vicinity - up to 0.8 meters from the gas meter. Alternatively, and in the absence of the analyzer, in proximity to the established gas meter output " distribution box ", to which the wall is laid necessary wiring and adapter AD220/50 is connected to the " distribution box ". Recommended " distribution box " not close the tiles or furniture to access the replacement adapter AD220/50.

6. The specifications on adapter AD 220/50

Purpose	Control the pulse shut-off valve 220V
The duration of the control pulse	1s
Operating voltage	~ 220/240 VAC
Maximum Switching Current	~ 0.05 A
Maximum switching active-inductive load	11W / 11 VA
Maximum capacitive load + series resistance	0.02 uF + 18 Ohm
Control voltage / current control (min / max)	2.7 - 3.7VDC; 5 mA - 10mA
Test voltage between control and switched circuit	3000 VAC

Recommended equipment

Gas analyzer Leleka - production of _____

Switching valve with manual reset of firms MADAS DN20

* Note - Do not use the board to control valves for other voltage, except 220-240VAC

* Note - The production tests are conducted on the safety of 3000 VAC.

7. The advantages of using the adapter AD 220/50

Compatible with any gas analyzers	+
Compatible with any pulse normally open valves to 11V*A	+
Fee radio module is electrically isolated from the mains voltage of 230V	+
No additional housing for the installation of equipment	+
Secure access to the radio D100FC when installing on-site	+
Length Wire connection 220V 1 meter is sufficient for mounting adapter	+

8. Information about the producers

Gas analyzer "LELEKA"

LLC "ORGTEHAVTOMATIKA", Ukraine, 21034, m. Vinnitsya, Vul. Karl Marx, 50, tel .: (0432) 27 46 78, E-mail: avtomatik@svitonline.com

Pulse valve, normally open, with manual reset, 220 VAC, 7 VA "MADAS"

"MADAS", Italy, www.madas.it, E-mail: info@madras.it

9. Note.

When ordering you must specify the radios need to use this type of valve, otherwise the installation of the adapter and valve control are not available.